



Cogan Bollards

Protect your work space inside and out from collision damage with Cogan bollards. Our 4 1/2" diameter steel tube bollards are welded to 10" x 10" baseplates and painted with a durable, powder-coated, safety-yellow finish made to stand up to your traffic. If heavy-duty protection is what you need, we also offer an oversized 6" diameter bollard welded to a 12"x12" base plate for extra security. Cogan bollards are in-stock and ready to ship.



Cogan[®] FASTER.
LEANER.
BETTER.[™]

cogan.com

green
Marketing

Cogan Bollards

(A) BOLLARDS

STANDARD DIMENSIONS

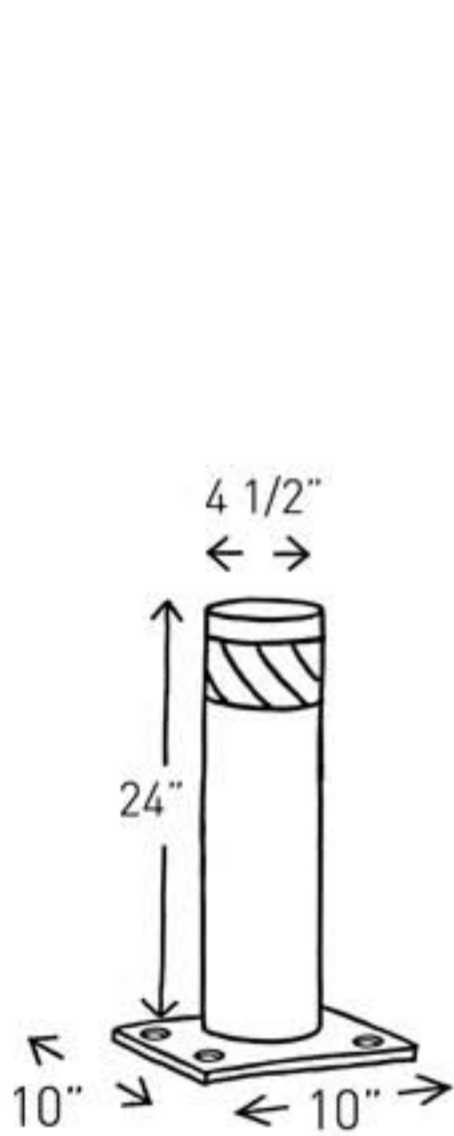
Qty	<input type="checkbox"/>	24" H (4 1/2" diameter)	Code#	B24
	<input type="checkbox"/>	36" H (4 1/2" diameter)		B36
	<input type="checkbox"/>	42" H (4 1/2" diameter)		B42
	<input type="checkbox"/>	42" H (6" oversized diameter)		B642
	<input type="checkbox"/>	Floor anchor $\phi 5/8" \times 4 1/2"$		GFA1

(B) FINISH (POWDER COATED)

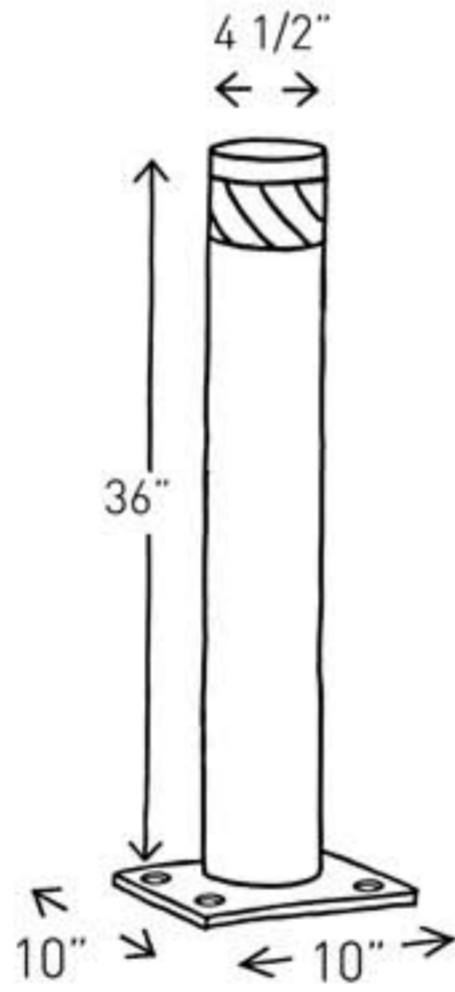


Standard security yellow

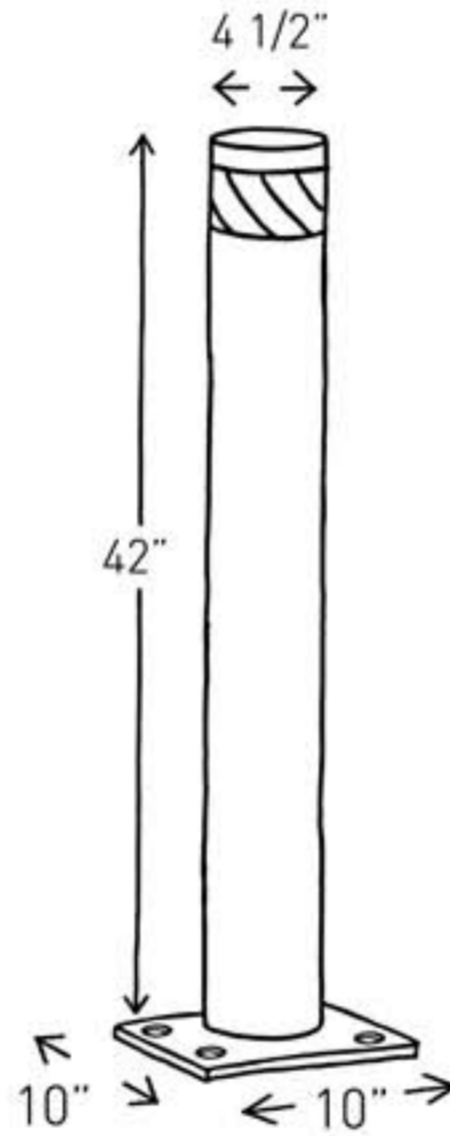
(For security purpose, bollards are only available in security yellow)



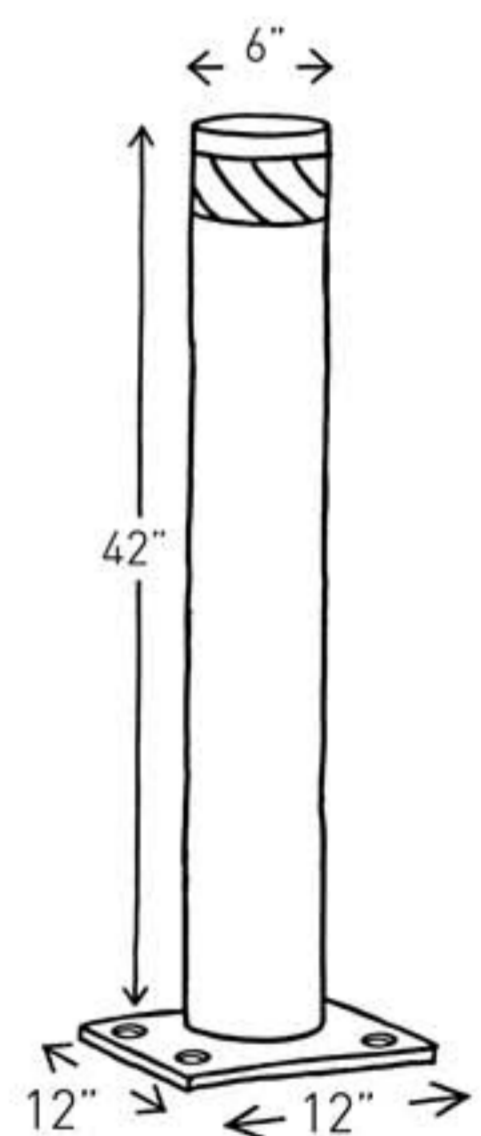
B24



B36



B42



B642

FAX: 1.800.633.3004

cogan.com